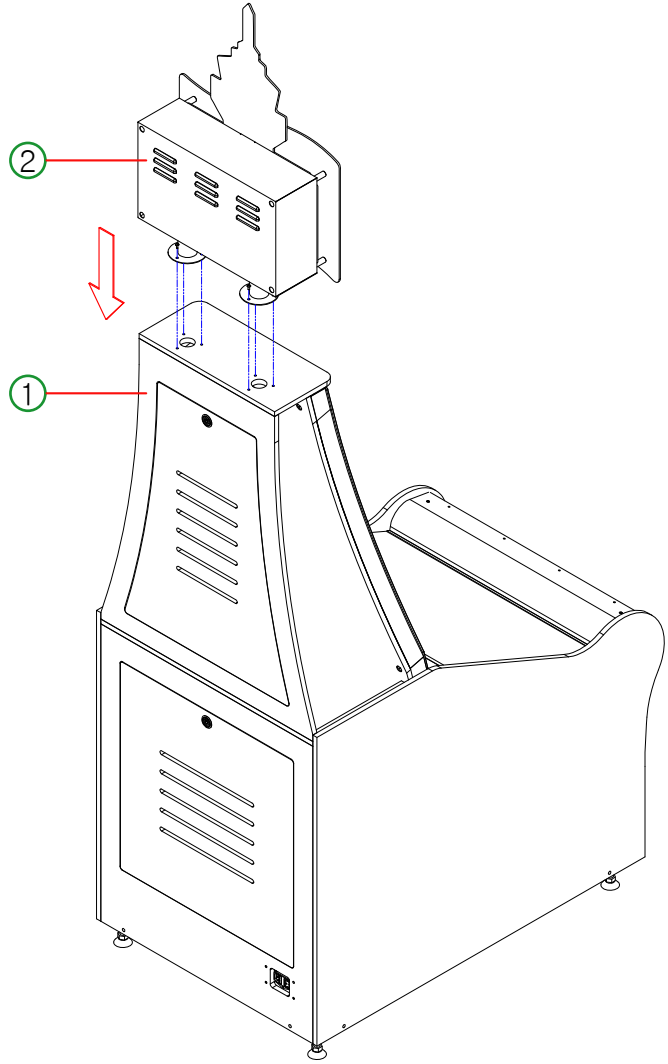


INSTALLATION [BILLBOARD]



1) Install the billboard on the top of the cabinet as shown. [6 pcs x M4 bolt]

* Note] The lamp's power cable inside the billboard should be connected before fixing the billboard.